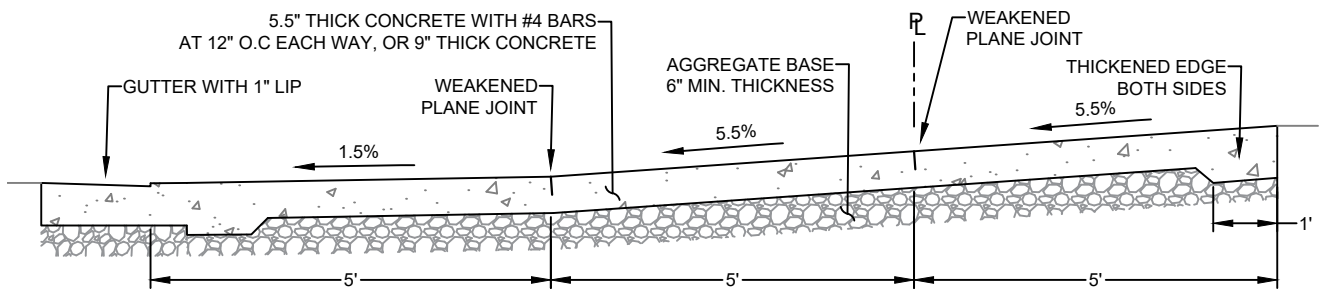
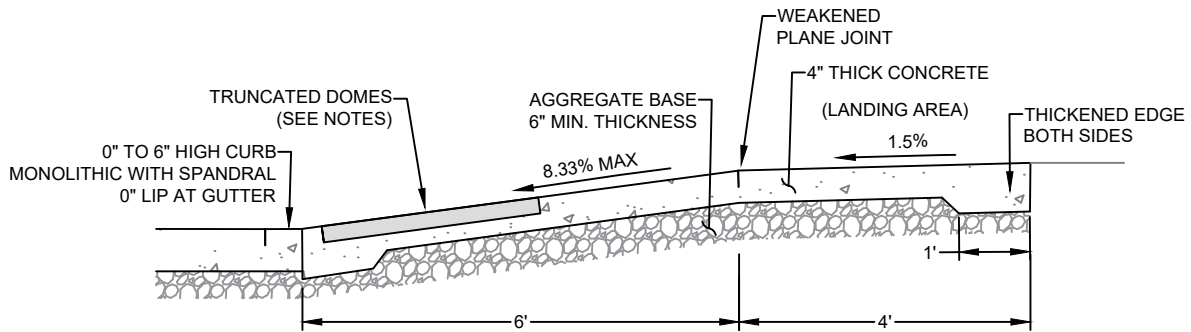


TYPICAL PLAN



SECTION A-A, DRIVEWAY CROSS SECTION



SECTION B-B, PEDRAMP CROSS SECTION

GENERAL NOTES:

1. CONCRETE SHALL BE 560-C-3250 PER STANDARD SPECIFICATIONS FOR PUBLIC WORKS CONSTRUCTION.
2. DRIVEWAY AREA SHALL CONTAIN #4 REINFORCING BARS AT 12" O.C. BOTH WAYS.
3. DRIVEWAY APRON SHALL CONTAIN 6" THICK AGGREGATE BASE MINIMUM.
4. SEE STANDARD DRAWING G-02 FOR CURB AND GUTTER DETAILS.
5. SEE STANDARD DRAWING G-07 FOR SIDEWALK DETAILS.
6. TRUNCATED DOMES SHALL BE 36"x48", FEDERAL YELLOW, REPLACEABLE TYPE, AND WET-SET.
7. SEE STANDARD DRAWING G-32A & B FOR ADDITIONAL NOTES.

REVISION	APPROVED	DATE	CITY OF SANTEE STANDARD DRAWING	APPROVED:	
ORIGINAL	C. SCHMITZ	8/13/2018		COMMERCIAL DRIVEWAY / ALLEY APRON	 PRINCIPAL CIVIL ENGINEER R.C.E. 60112 DATE: 8/13/2018
			DRAWING NUMBER		PW - 21